

# INSTRUCTION MANUAL

## PORTABLE SOLAR POWER BANK 8.000MAH

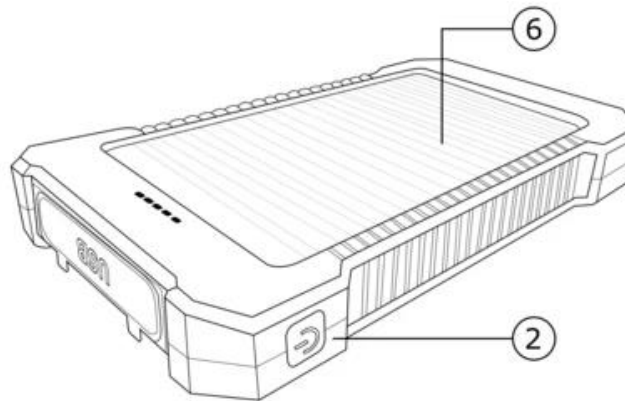
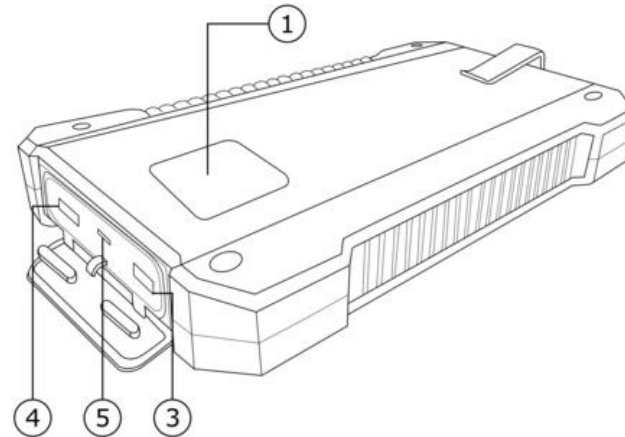
### COMPONENTS

- Solar power bank
- USB cable
- Buckle
- Compass
- User manual

### TECHNICAL SPECIFICATIONS

- Capacity: 8.000mAh
- Case material: ABS + PC + Silicone
- Battery type: A grade Li-polymer battery
- Net weight: 280g
- Product size: 139 x 75 x 20mm
- Input: 5V/1.0A
- Output: 5V/1A, 5V/2.1A
- Color: orange, blue, green, red, black, yellow
- Solar panel: polycrystalline
- 1.2m drop testing passed
- Waterproof and dustproof IPX5 certified.

### HOW TO USE



1. Light
2. Power button
3. Outlet 1
4. Outlet 2
5. Inlet
6. Solar panel

#### ○ FIRST TIME USE

We recommend you charge the battery fully before using it for the first time. The capacity should be fully optimized after 2–3 times of fully charging and discharging the unit.

#### ○ CHARGING

You can charge the power bank with the included USB connector, or the one that comes with your phone or other rechargeable device. If you do not have a USB adapter, you can plug your connector into your computer's USB port. The solar panel is for emergencies, since it is slower to charge that way. The stronger the sun, the quicker is its charge.

#### ○ POWER CONTROL SWITCH

Firmly press the power button one time. This will turn on blue light indicators that show you how full is the power bank.

- 1 blue light = the charger needs to be recharged.
- 2 blue lights = <25% remaining charge
- 3 blue lights = 25–50%
- 4 blue lights = 50–75%
- 5 blue lights = the device is at 75–100% charge

(Green lights mean t's being sun-charged))

Firmly press the power button for 2 seconds, and the LED flashlight will go on. Press once again to cycle through modes (bright light, emergency SOS signal).

Firmly press the power button for 2 seconds again to turn the flashlight off.

## COMPATIBLE DEVICES

Most digital products with 5V 1A or 2A power rating can be charged easily.

- wireless earphones
- tablets
- digital cameras
- any USB chargeable phones
- mp3/mp4 players
- any USB device with the same power rating of 5V 1A or 2A.

## TROUBLESHOOTING

**Problem:** my USB chargeable device does not seem to be charging when connected to the solar charger.

**Solution:** please try to use the same connector you would normally charge your USB device with. If that works, it is likely that due to wear and tear of the connector that comes with the solar charger, which is not lining up with your USB device's port.

**Problem:** the flashlight won't turn on or off. / The flashlight is stuck on either bright or SOS mode.

**Solution:** To turn the flashlight on you will need to firmly hold the power button for 2 seconds. Once

the flashlight is on, simply click the power button again to cycle through different modes. Hold the power button for 2 seconds again to turn off the light.

**Problem:** the solar charger does not indicate the green light when in the sun or seems to be charging slowly.

**Solution:** please make sure the charger is under direct, strong sunlight. Depending on the strength of the sunlight, green lights will indicate the charge power.

**Note:** due to the conveniently compact size of the charger, the size of the solar panel will enable only a very slow charge time. It only serves as an emergency feature that will allow you to get enough power for that critical phone call.

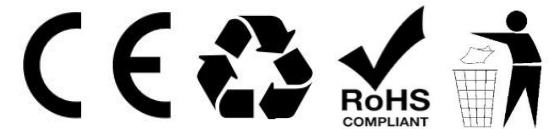
## SAFETY PRECAUTIONS

1. Keep the battery away from heat sources (like a fire or heater).
2. Do not throw the battery into fire or heat the battery.
3. Do not hammer or trample the battery.
4. Do not try disassembling the battery in any way.
5. This product is waterproof, but with limits. It should not be used under water. It is a safety feature that protects internal electronics, when briefly submerged.

6. Please note that the charger clip is meant for carrying on a key chain and is not intended as a belt clip.
7. The battery is made from a high grade lithium polymer.
8. Keep out of reach of small children.
9. Use this product in a well-ventilated area; it is not recommended to place on your car's dashboard when the windows are up as this could damage the product.
10. Do not tamper with the internal components as this will void the 1-year warranty of your device and could furthermore result in other malfunctions of the unit.

## WARRANTY

The warranty is valid for 12 months, and you can send your claim to the seller (us), through the contact details listed in the bottom right corner. To submit a warranty claim, send the order number and date of your purchase.





WEEE disposal and recycling symbol.  
The WEEE symbol is attached to the product in compliance with the EU directive *2012/19/EU* on Waste Electrical and Electronic Equipment (WEEE). It is intended to deter the improper disposal of this product and to promote reuse and recycling.